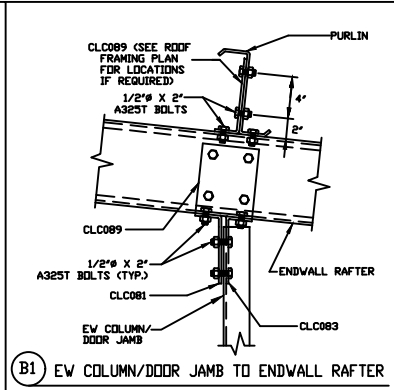
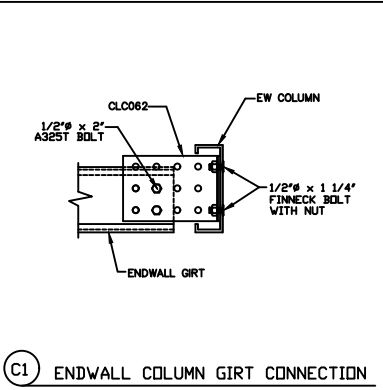


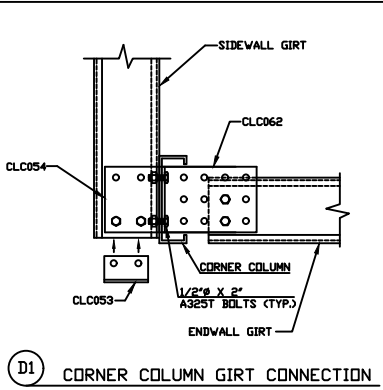
A1 PURLIN TO ENDWALL RAFTER



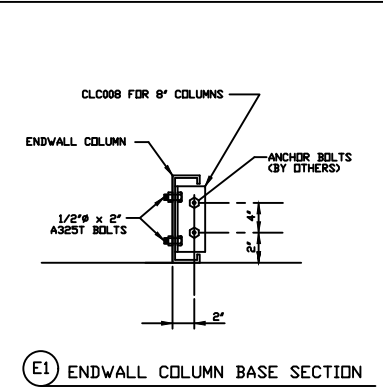
B1 EW COLUMN/DOOR JAMB TO ENDWALL RAFTER



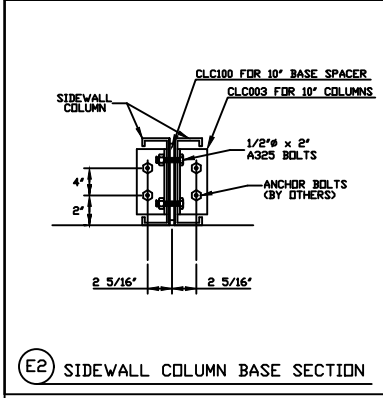
C1 ENDWALL COLUMN GIRT CONNECTION



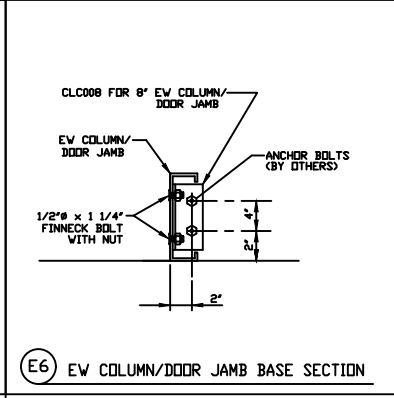
D1 CORNER COLUMN GIRT CONNECTION



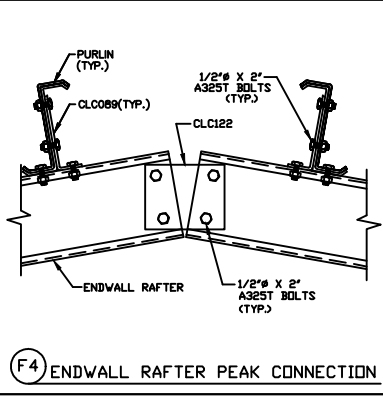
E1 ENDWALL COLUMN BASE SECTION



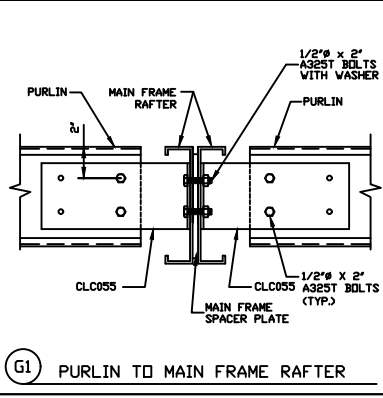
E2 SIDEWALL COLUMN BASE SECTION



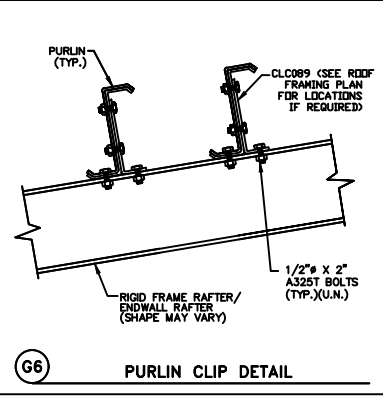
E6 EW COLUMN/DOOR JAMB BASE SECTION



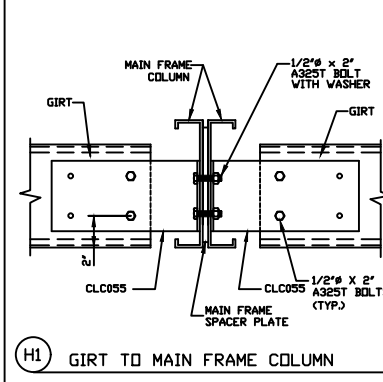
F4 ENDWALL RAFTER PEAK CONNECTION



G1 PURLIN TO MAIN FRAME RAFTER



G6 PURLIN CLIP DETAIL



H1 GIRT TO MAIN FRAME COLUMN

NOTES: 1.) ALL SCREWS ARE WITH WASHERS UNLESS NOTED.

U.S. METAL BUILDINGS		Customer: GEORGE F. ERB	
DEERFIELD BEACH, FL 33441		BANDERA, TX 78003	
Drafter: SMM	Date: 4/11/16	Designer: RA	Date: 4/11/16
Detailer: NP	Date: 4/11/16	Sales ID:	Factory ID:
Checker: JP	Date: 4/11/16	01-1454	001918
DETAIL DRAWINGS			Sht E9 of 11