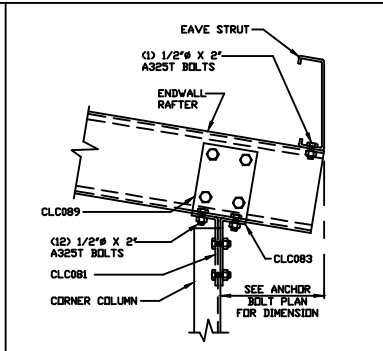
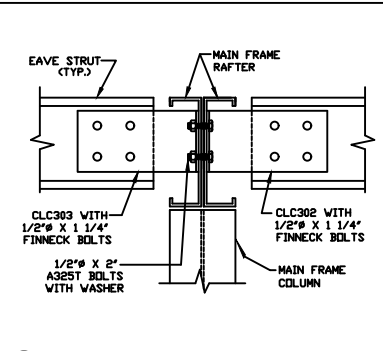


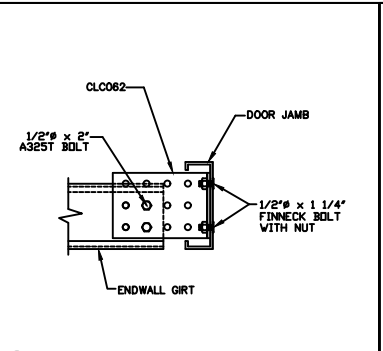
16S CORNER COLUMN TO ENDWALL RAFTER



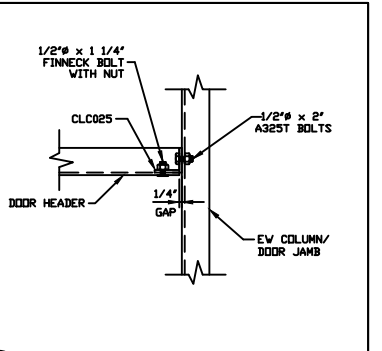
16S CORNER COLUMN TO ENDWALL RAFTER



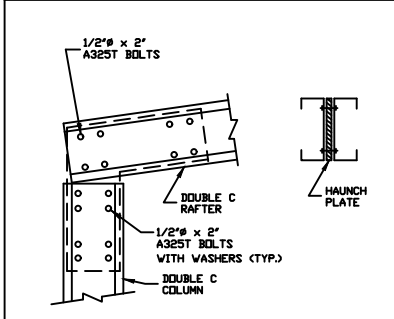
J22 EAVE STRUT TO MAIN FRAME



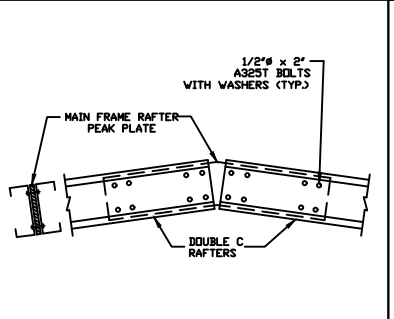
K2 DOOR JAMB TO GIRT CONNECTION



M1 HEADER TO EV COLUMN/DOOR JAMB CONNECTION



U11 MAIN FRAME COLUMN TO MAIN FRAME RAFTER



U12 MAIN FRAME RAFTER PEAK CONNECTION

U.S. METAL BUILDINGS		Customer: GEORGE F. ERB	
DEERFIELD BEACH, FL 33441		BANDERA, TX 78003	
Drafter: SMM	Date: 4/11/16	Designer: RA	Date: 4/11/16
Detailer: NP	Date: 4/11/16	Sales ID:	Factory ID:
Checker: JP	Date: 4/11/16	01-1454	001918
DETAIL DRAWINGS			Sht E10 of 11