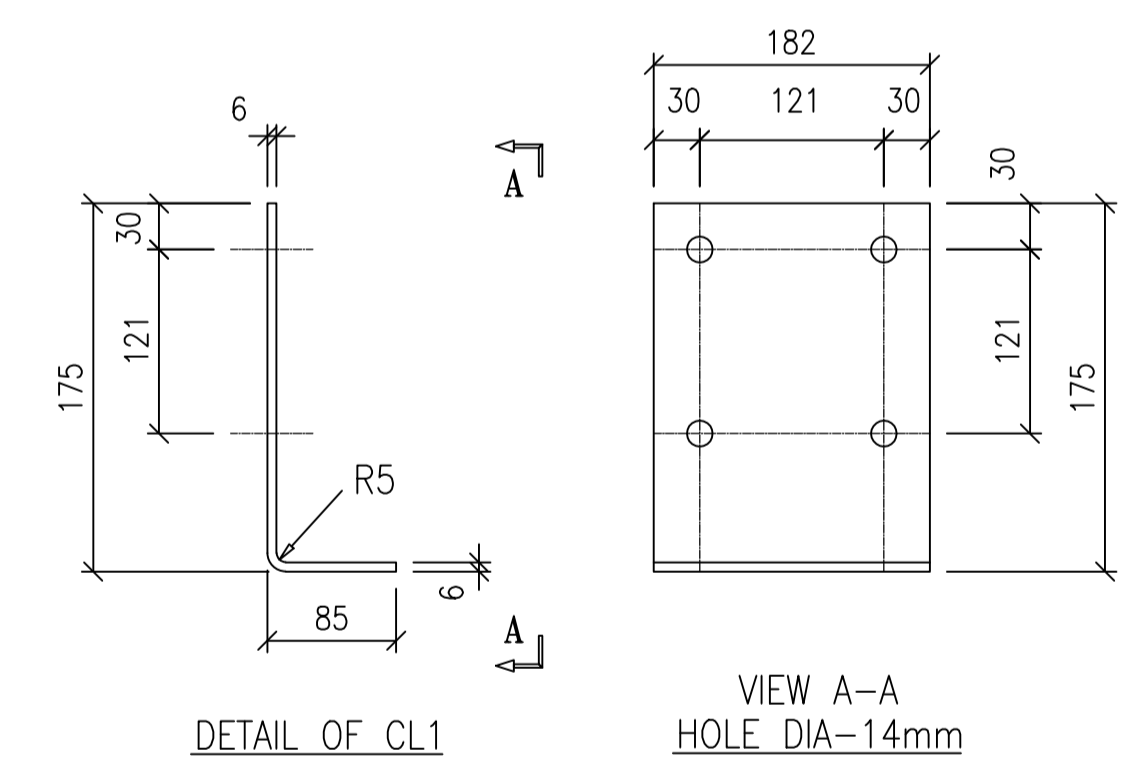


PART MARK	PART DESCRIPTION	LENGTH	WIDTH	THK.	QTY.	WEIGHT
WB1	WEB PLATE	5980	800	5	1	164.30
WB2	WEB PLATE	5980	800	5	1	164.30
OF1	FLANGE PLATE	11960	175	8	1	131.44
IF1	FLANGE PLATE	5983	175	8	2	131.51
CP1	CONNECTION PLATE	800	225	20	2	56.52
ST1	STIFFENER PLATE	100	90	10	8	9.03
C-26	FLANGE BRACE CLIP	75	65	5	8	1.53
STD-504	RIB PLATE	-	-	10	4	4.00
TOTAL WEIGHT						674.17



PART MARK	QTY.
RAF5B	01
RAF5C	01

D=DIAMETER
G=GAUGE

NOTES:-
1. YIELD STRESS OF PLATE 345 MPa
2. ALL DIMENSIONS ARE IN MM.

M/s.	Drawn by:	Checked by:	Approved by:	Date: 02.03.2015
	Drawing Title: DETAILS OF RAFTER			Scale: NTS
	Project No: -	Drg No: RAF5B/5C	Rev. R0	