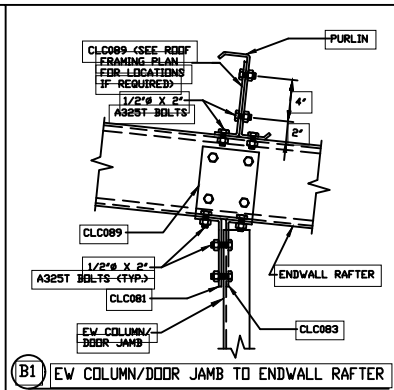
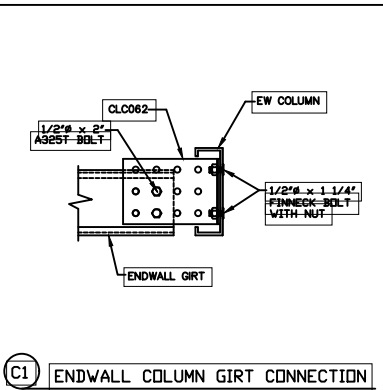


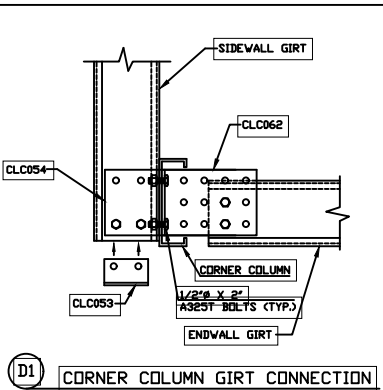
(A1) PURLIN TO ENDWALL RAFTER



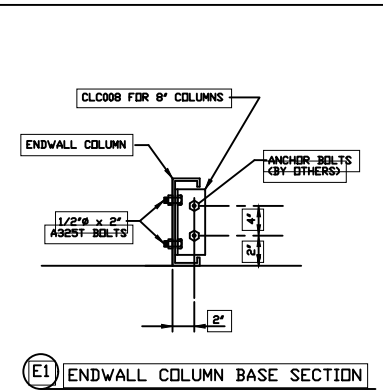
(B1) EW COLUMN/DOOR JAMB TO ENDWALL RAFTER



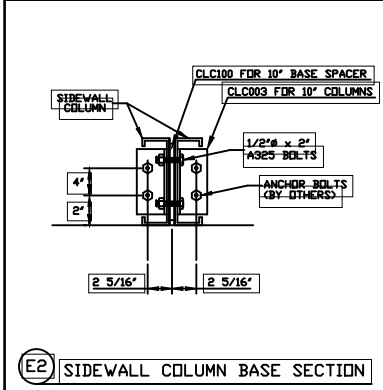
(C1) ENDWALL COLUMN GIRT CONNECTION



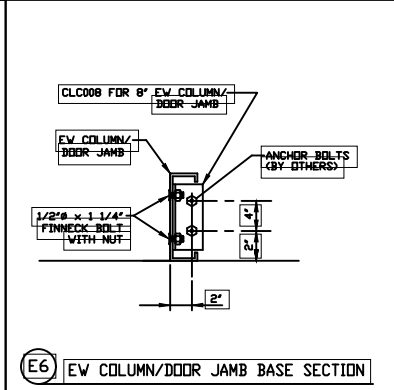
(D1) CORNER COLUMN GIRT CONNECTION



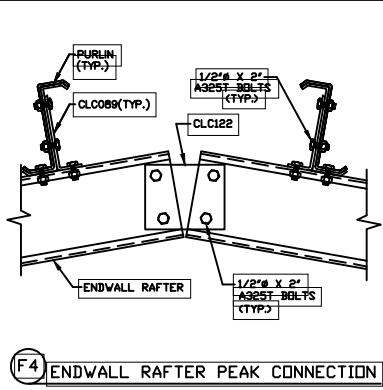
(E1) ENDWALL COLUMN BASE SECTION



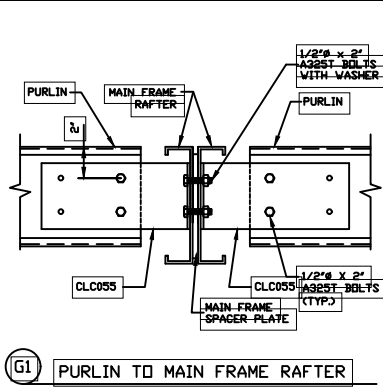
(E2) SIDEWALL COLUMN BASE SECTION



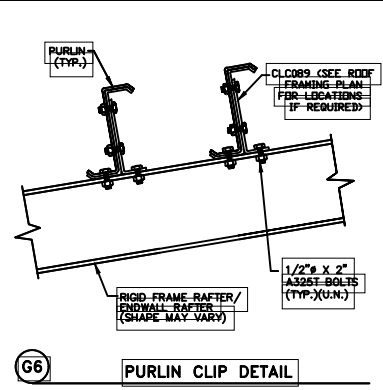
(E6) EW COLUMN/DOOR JAMB BASE SECTION



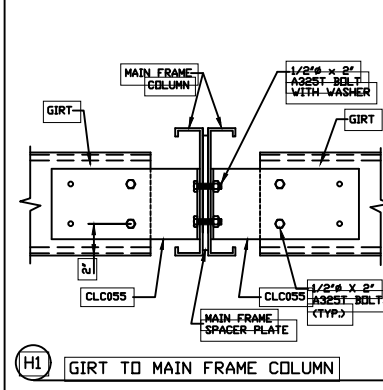
(F4) ENDWALL RAFTER PEAK CONNECTION



(G1) PURLIN TO MAIN FRAME RAFTER



(G6) PURLIN CLIP DETAIL



(H1) GIRT TO MAIN FRAME COLUMN

NOTES: 1.) ALL SCREWS ARE WITH WASHERS UNLESS NOTED.