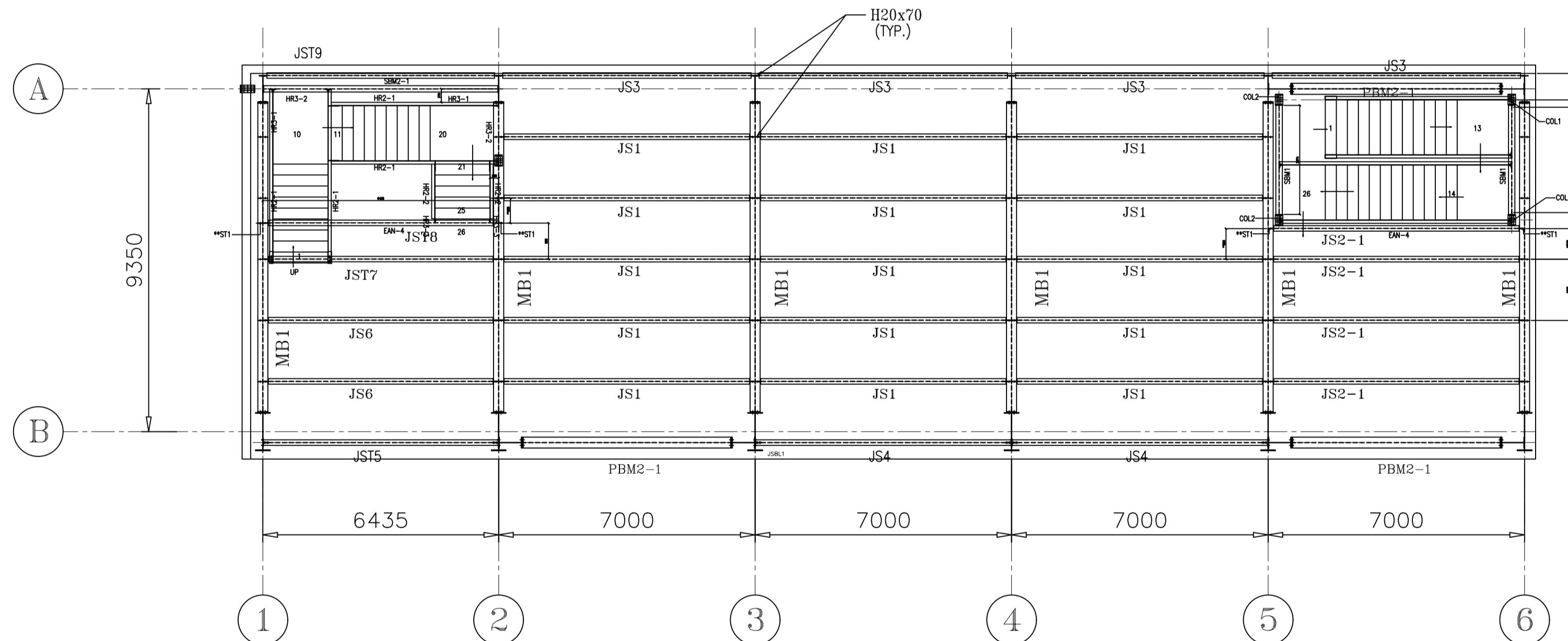
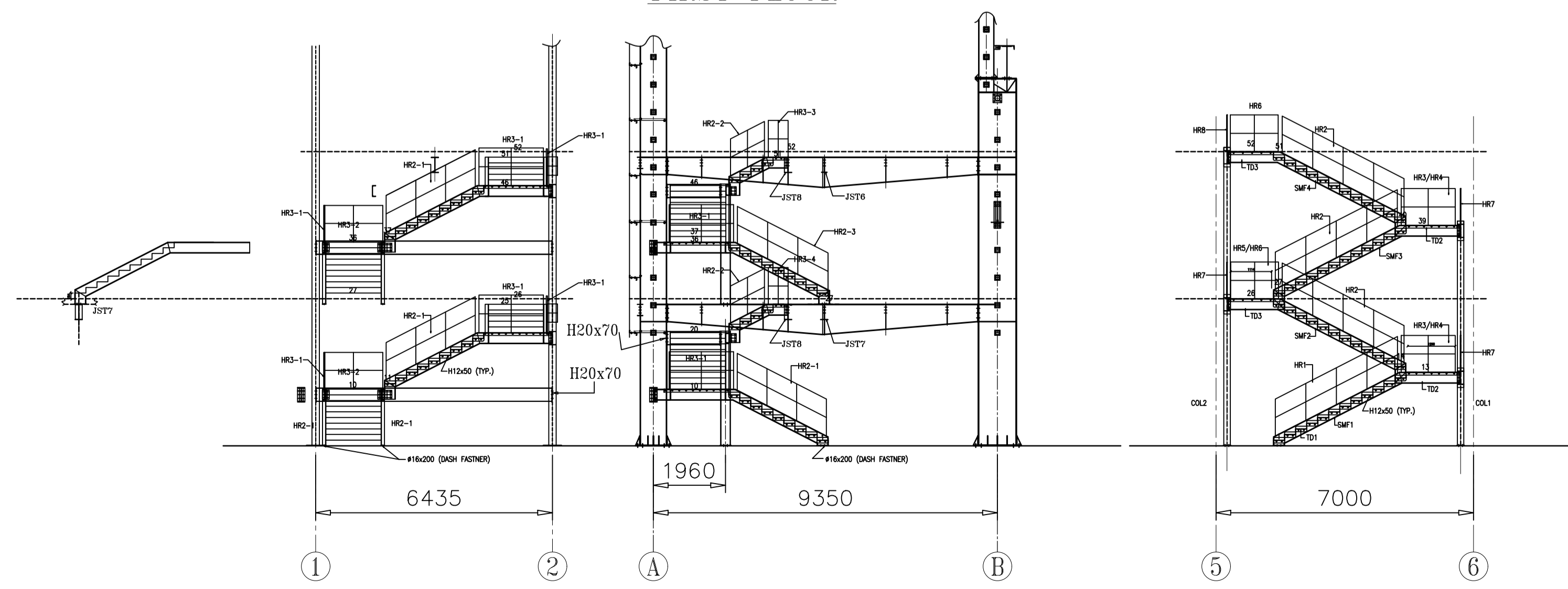


NOTES-
 1)-** ST1 WELD WITH MB1 AT SITE FOR CONNECTION WITH JOIST
 2)-USE H20x70, H16x70 & H12x50 BOLT IN STAIR CASE

MEZZANINE PLAN
 SECOND FLOOR



MEZZANINE PLAN
 FIRST FLOOR



Rev.	Description	Name	Checked	Date
REVISIONS				

Project: PRE-ENGINEERED BUILDING FOR

Client: M/S

Architect:

Concept consultant:

Structural consultant:

Drawing Title: MEZZANINE & STAIR CASE PARTMARKING

Drawn by:	Scale: N.T.S.	Date: 28.04.2015
Checked by:	Project No:	Drawing No: ER-008
Approved by:		Revision: RO