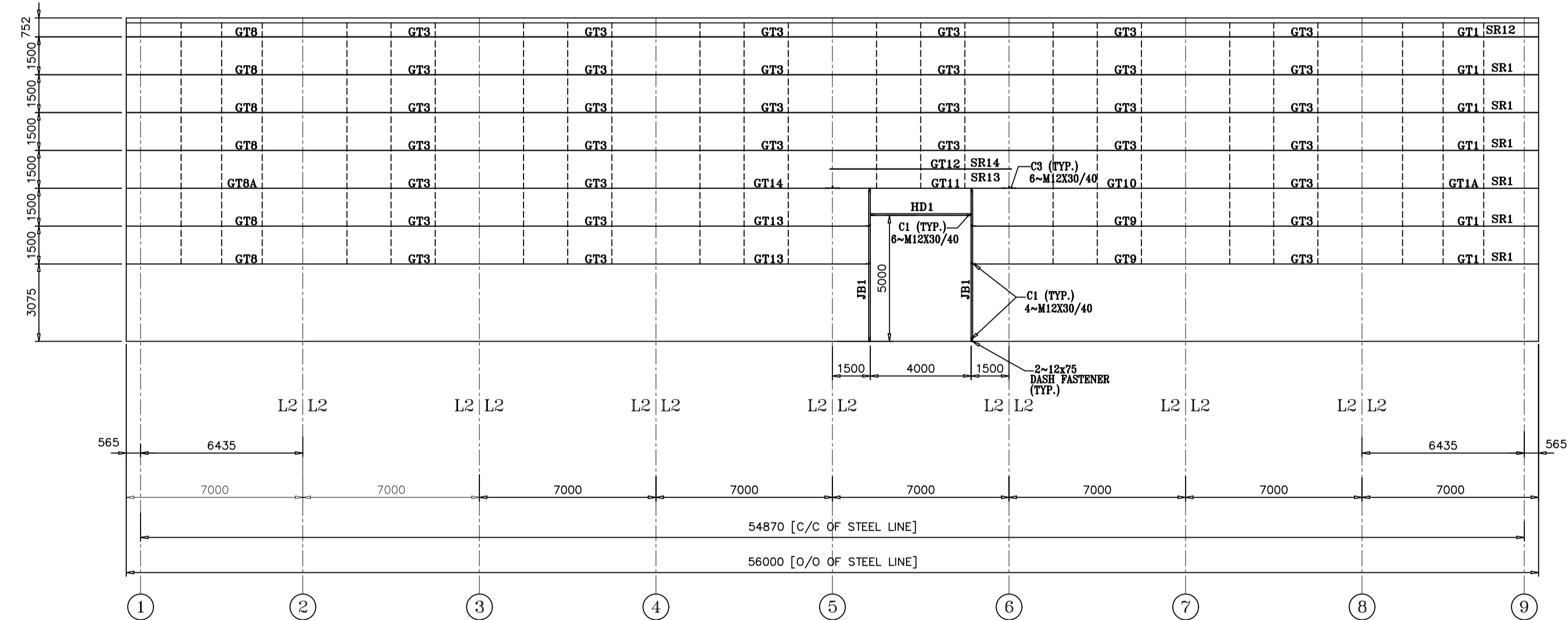
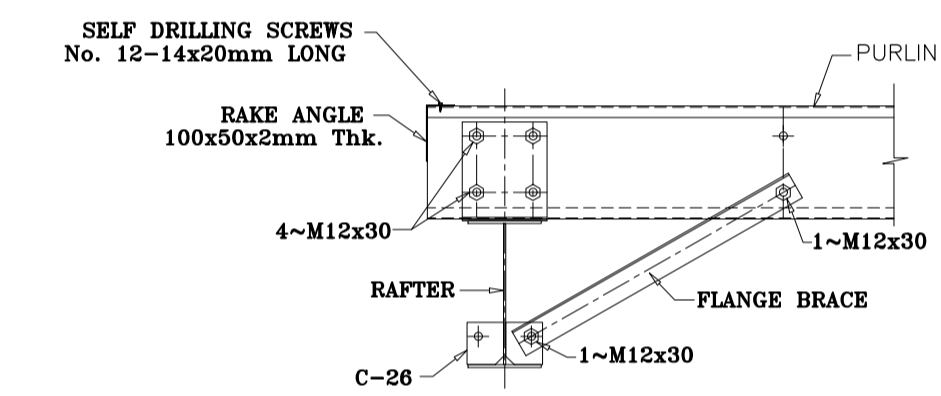


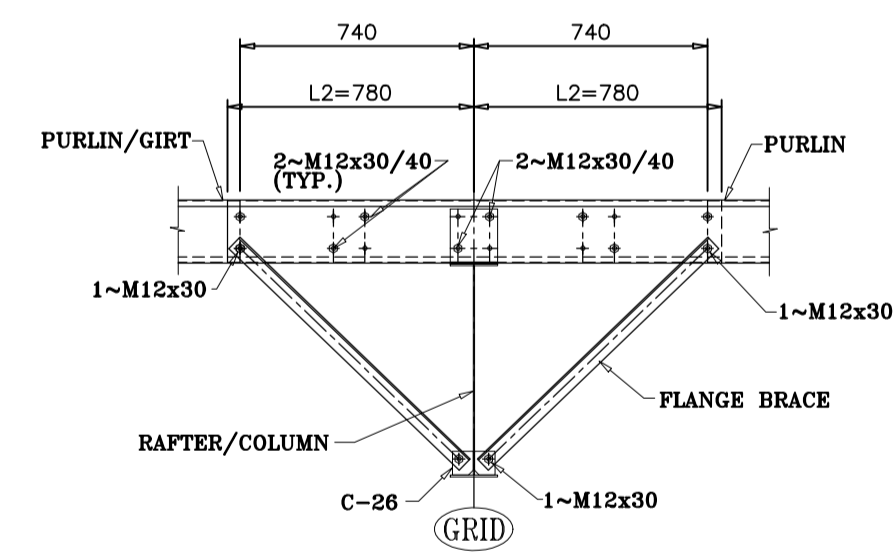
SIDE WALL ELEVATION AT GRID-A



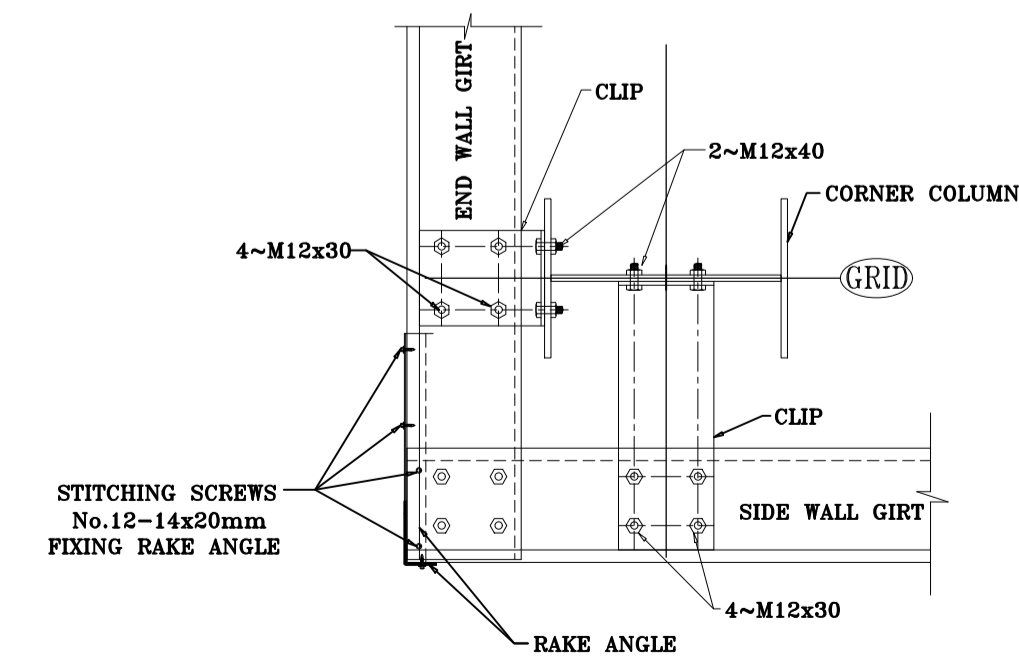
SIDE WALL ELEVATION AT GRID-F



TYPICAL FLANGE BRACE DETAIL AT STEEL LINE



TYPICAL FLANGE BRACING DETAIL FOR L2



TYPICAL CORNER DETAIL FOR GIRT

Rev.	Description	Name	Checked	Date
REVISIONS				

Project: PRE-ENGINEERED BUILDING FOR

Client: M/S

Architect:

Concept consultant:

Structural consultant:

Drawing Title:

SIDE WALL ELVATIONS & DETAILS

Drawn by:	Scale: N.T.S.	Date: 28.04.2015
Checked by:	Project No:	Drawing No: ER-003
Approved by:		Revision: RO