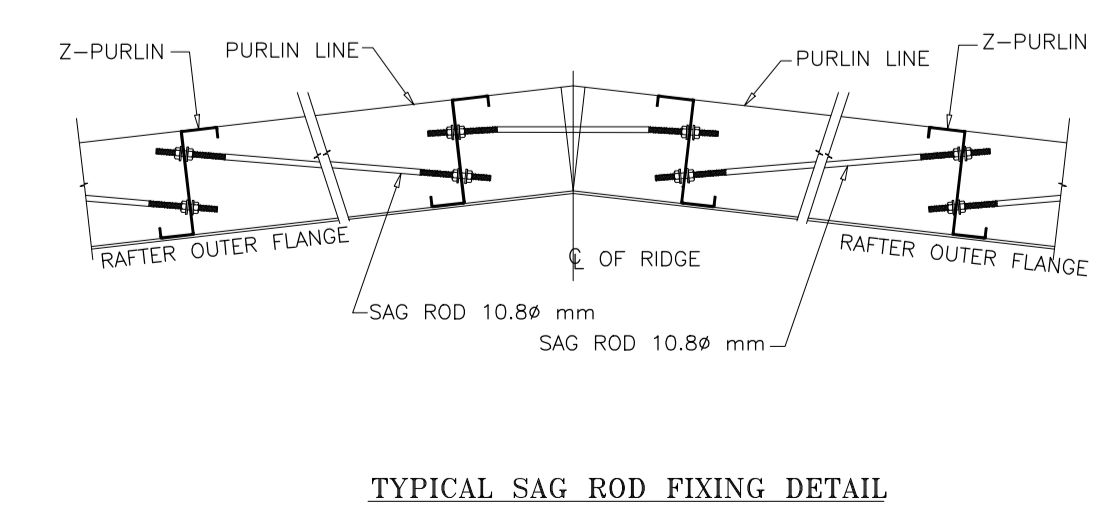


FLOOR FRAMING PLAN



TYPICAL SAG ROD FIXING DETAIL

Rev.	Description	Name	Checked	Date

REVISIONS

Project: PRE-ENGINEERED BUILDING FOR

Client: M/S

Architect:

Concept consultant:

Structural consultant:

Drawing Title: ROOF FRAMING PLAN & DETAILS

Drawn by:	Scale: N.T.S.	Date: 28.04.2015
Checked by:	Project No:	Drawing No: ER-002
Approved by:		Revision: RO